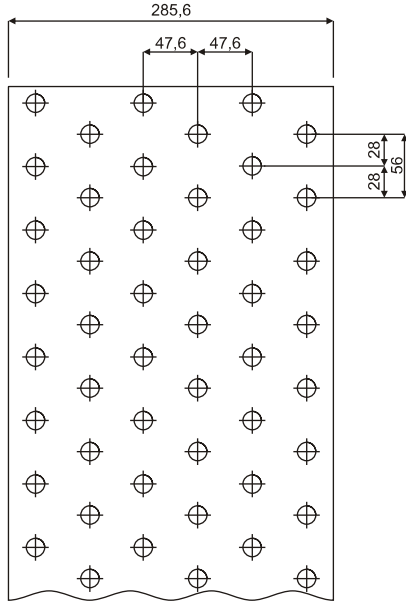
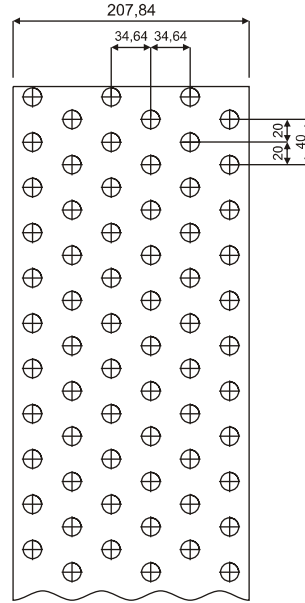


## KALIP GEOMETRİLERİ

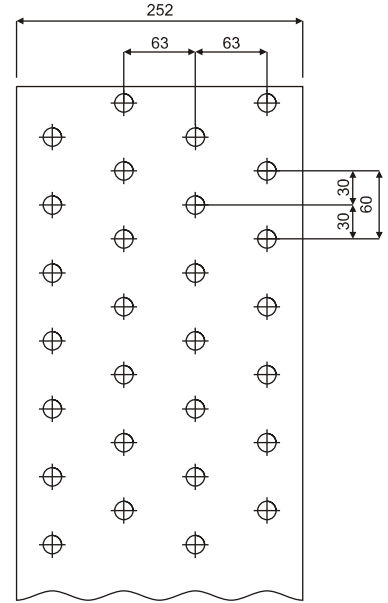
Kalip Tipi Die Geometry	Borular Arası Mesafe Distance Between Tubes	Sıralar Arası Mesafe Distance Between Rows	Boru Çapı Tube Diameter	Hatve Fin Spacing	Boru Dizilişi Tube Pattern
25x22-3/8"	25 mm	21,65 mm	3/8"	---	Çapraz - Staggered
32x28-3/8"	32 mm	27,71 mm	3/8"	---	Çapraz - Staggered
40x35-1/2"	40 mm	34,64 mm	1/2"	---	Çapraz - Staggered
40x35-5/8"	40 mm	34,64 mm	5/8"	---	Çapraz - Staggered
56x48-1/2"	56 mm	47,6 mm	1/2"	---	Çapraz - Staggered
56x48-5/8"	56 mm	47,6 mm	5/8"	---	Çapraz - Staggered
63x60-1/2"	63 mm	60 mm	5/8"	---	Çapraz - Staggered



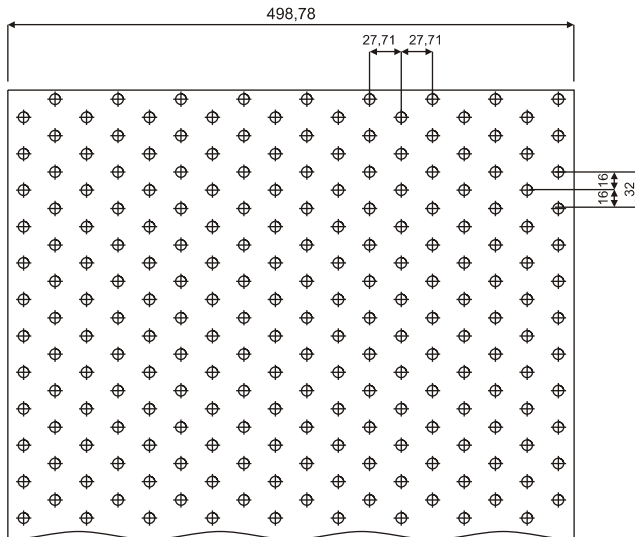
56x48-5/8" Fin-Lamel  
56x48-1/2" Fin-Lamel



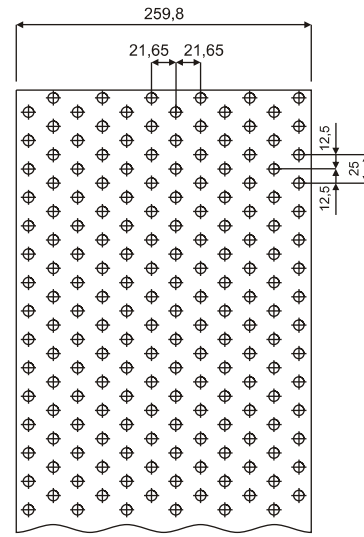
40x35-5/8" Fin-Lamel  
40x35-1/2" Fin-Lamel



63x60-1/2" Fin-Lamel



32x28-3/8" Fin-Lamel



25x22-3/8" Fin-Lamel